

بھاسکای للخدمات الفنية ش.ذ.م.م BHASKAY TECHNICAL SERVICES L.L.C



Dedicated Customer Service

CAPABILITIES AND EXPERIENCE

- Sub-station Construction Works
- Structural and Equipment Erection Works
- Testing and Commissioning
- Maintenance Works



Phone :+971 4 338 0606, Mob: +971 55 764 2457

Al Manara Building, Office F103, Sheik Zayed Road, Dubai,

Email: bhaskaytechnicalservices@gmail.com Web: www.bhaskay.com



Bhaskay Technical Services L.L.C. (BTS) - Its Origin

In the year 2003, Bhaskay Power Constructions (BPC), having its Head Quarters in Chennai, Tamilnadu, India, started its Gulf Operations, as a subcontractor to M/s Larsen & Toubro Saudi Arabia LLC. (LTSA), its First Project with LTSA was for Saudi Electricity Company, Eastern Operation Area (EOA Dammam) for their 230/115KV Juaymah B.S.P (Bulk Supply Point) Project Substation Project, The main objective of this BSP was to cater to the bulk requirement of power for ARAMCOs Gas Oil Separation Plants - GOSP I,II,III.

After successful completion of the above project in Saudi Arabia, with the recommendation of LTSA, BPC then proceeded to the Sultanate of Oman and the United Arab Emirates for executing Installation of Electrical Sub-stations as a dedicated subcontractor for L&T for their Projects in Various Gulf Countries, viz., Oman, UAE, Doha, KSA (again) , Bahrain and Kuwait. In November 2008, Bhaskay Power Constructions got itself registered as a local Company in the Sultanate of Oman, as Best Power Constructions L.L.C. (BPC- Oman) and is undertaking jobs (both Electrical Installation & Civil Construction) for almost all EPC Contractors in the Power Sector including L&T in Oman.

With the above background of extensive Gulf Experience and with an objective to consolidate our presence in UAE in a bigger way, our Management has decided to convert the status of our Parent Company - Bhaskay Power Constructions as a Registered Company in UAE in the name Bhaskay Technical Services L.L.C. (BTS) and close down its set-up in Chennai.

BTS, thus backed up with 14 years of its Gulf Experience in different countries, is a quality-oriented organization capable of executing Installation Works for Electrical Power Projects, Substations and Industrial Projects. We have the know how and project management expertise to offer our services for installation and commissioning of the above mentioned projects with a commitment for timely completion.

Our project teams comprise of engineers and field staff with relevant proven experience. We are committed to safety, quality, productivity and environmental protection in our execution. We operate in accordance with the International Standards and work practices. We started our operation with a team of 75 Skilled workmen and 5 dedicated Engineers. During the past 6 years it has grown to a group strength of more than 500, duly complemented by a team of qualified Engineers & Field Staff and has successfully handled about 60 jobs in various GCC Countries and India.

Our commitment to full fledged professional support to EPC contractors has earned their total satisfaction which is evident from the many repeat orders placed on it with due reliance. Presently, the scope of work served by us covers Installation, Testing & Commissioning of G.I.S Substations (up to 400KV), Outdoor switch yards up to 400KV, EHV, MV & LV Cabling, Transmission lines and Industrial Electrification. In addition we have the capability to do the Electrical Installation for core industries like steel, cement and petro-chemicals plants. "Communication is crucial, from the conception of any project through its completion. While working together with Owners, General Contractors, Architects, Consultants, and other Subcontractors, we will play a key role in producing a superior finished product at a fair market value

Our mission is simple,

To be the most dependable electrical installation contractor in our field.

- To be substantially responsive to the Customers Project requirements.
- To set a bench mark by our quality in job execution.
- To complete our assignment on-schedule.
- To demonstrate our team spirit & commitment to Customer Satisfaction.
- To be consistent in our performance.

Since its very inception in 2003, we have been maintaining a track record of putting our above objectives into practice and earning the Customers total trust in us. This is amply evident by the many repeat jobs awarded to us with reliance, by our valued clients.

It will be our earnest Endeavour to remain committed to our mission.

R.Chandramohan
Chief Executive



Services Offered

- 1) **Installation of Substation Equipment up to 400kV Grade**
 - GIS Switchgear & LCCs
 - HV & EHV Cable Laying Works – 11kV, 33kV, 132kV & 220kV
 - EHV, HV & LV Switchgear Panels
 - Power Transformers & Reactors
 - Control and Relay Panels
 - Battery and Chargers
 - Capacitor Banks
 - Cable Trays including Site Fabrication works
 - Earthing and Lightning Protection
 - Power, Control, OFC / communication and Fire Alarm Cabling and Termination
 - Lighting and Small Power works
- 2) **Installation of Outdoor Switch Yard Equipment up to 400kV Grade**
 - Tower / Gantry Structures
 - Tubular and Strung Bus Bars
 - Isolated Bus Ducts
 - Switch Yard Equipment
 - Earthing System
- 3) **Testing and Commissioning Services**
 - T&C of Control and Relay Panels, Switchgear from 415V to 400kV
 - T&C of Numerical Protection Relays such as Bus Bar protection, Transformer Protection, Line Protection, Bay Control and Other Backup Protection Relays
 - T&C of Indoor and Outdoor Equipment's such as Current Transformer, Voltage Transformer, Circuit Breaker and Isolators with/ without Earth Switch
 - Testing and Commissioning of Power Transformer
 - Troubleshooting in Control & Protection Logics and Schemes and Coordination with Customer during Inspection
 - AC & DC System Checks
 - Deputation of Testing Engineers
 - T&C of Substations up to 220kV.
- 4) **Installation of Transmission Lines up to 400kV Grade**
 - Tower Structure Erection, including Check Survey
 - Stringing of ACSR Conductors and Earth Wire
 - Stay Wires & Tower Earthing.
 - Painting.
- 5) **Maintenance Works**
 - Annual Maintenance Services
 - Switchyards and Substations
- 6) **Civil Constructions**
 - Construction of Substation Buildings, Cable Tunnels / Duct banks
 - Tower Foundations for OH TL Projects & Switch yards
 - Construction of Multi Storied Buildings Construction of Industrial Projects' Civil works
 - Construction of Civil Structures associated with various Mechanical Projects



Dedicated Customer Service

Details of Projects Executed

Sl. No.	Client	Project Name	Details of Job	Project Status
1.	Larsen & Toubro Ltd	4Nos, 33/11kV New Substations Project (G1409)for AADC in Al Ain Area, (Al Yaher, Al Dahir, Umm Gaffa, Masakin)	Installation of 3Nos 33/11kV Trafo with all accessories (ABB Transformers), 3Sets of Capacitor and Reactor Banks, 2Nos Station Service Transformers, 33kV GIS Switchgears and Associate Panels (ABB), 11kV Siwtchgears and Associate Panels (ABB), Control and Relay Panels, 3Nos RTCC Panels, 3Nos Capacitor Control Panels, Cable Tray and Cable Supports for HV/LV Control Cables, Control and Power Cable Laying and Termination, 33kV and 11kV Cable Laying and End Termination works, SMS and necessary FO Cable Laying and Termination, All other activities like Grid Earthing, Main Equipment Earthing, Lighting, Pole and Mast Erection, Lightning Protection, Power Cabling for Fire Fighting and HVAC Units etc.	Successfully Completed
2.	Larsen & Toubro Ltd	HT Cable Jointing works at Al Ain, Project G1296. for AADC	HV Cable jointing works in various sites at G1296 Project	Successfully Completed
3.	Larsen & Toubro Ltd	Under Ground Fibre Optic Cable Laying Project Al Ain, Project G1409. for AADC	Under Ground Fibre Optical Cable Laying 1) Mazyiad Grid Station to Umm Gaffa Primary Station 2) Mazyiad Grid Station to Al Dahir Primary Station 3) Al Salamat Grid Station to Al Yaher Primary Station.	Successfully Completed
4.	Larsen & Toubro Ltd	LSP Works At Marina Scape, Dubai Marina, Dubia. Client: Trident Properties, Consultant Archon.	Small power works Multistory building comprises of 1) 21Stories of 42two bedroom and 42Three bedroom. Building. 2) 19Stories of 38Two Bedroom and 38Three Bedroom Building. 3) 13villas with car parking. 4) 3level undergrond car parking, 2podium level and Groundfloor Garage for Each Flat and commercial area.	Successfully Completed
5.	Larsen & Toubro Ltd	33kV OHL works for ADWEA from Dhabiya Grid S/s to Abu Al Abiyad Island	Instation of 33kV OHL Towers (Ground assembly, Erection and Tightness.	Successfully Completed
6.	Larsen & Toubro Ltd	33/11kV New S/s Project A3486 at Al Ain Area for AADC.	Supply of Skilled Technicians.	Successfully Completed
7.	Larsen & Toubro Ltd	132/22kV GIS SS6 Sadayat Island for TRANSCO & ADWEA, Abudhabi	Installation of all Indoor AC&DC Systems , Laying and Termination of HVAC Cables.All other activities like Grid Earthing, Main Equipment Earthing, lighting, Pole & Mast Erection, Lightning Protection, wiring for fire alarm system, Tray work includes fabrication of bends and Tee's, Etc.,	Successfully Completed
8.	Larsen & Toubro Ltd	Extension works in 33/11kV 4Nos existing Substation in Al-Ain area for AADC (A3938) (Al-Arad, Al-Dahira, Agabiya & University)	Addition of Power Trasformers and necessary 33/11kV Swithcgear and Cabling works	Successfully Completed
9.	Larsen & Toubro Ltd	132/22kV GIS s/s Sowwah Island, Abudhabi for TRANSCO & ADWEA	12 Bays of 132KV GIS Switch Gear and related bus ducts.60 Bays of 22KV GIS Switch Gear and related bus ducts.4Nos 63/80MVA 132/22kV Power Transformers.2Nos 1MVA Station Service Trafo and related switch gears and distribution panelsInstallation of Outdoor Equipments related to 132/22 KV Feeders.Installation of all Indoor AC & DC Systems , Relay and Protection Panels of transformers and 132/22kV lineCable Tray , Trunking and Supports for HV Cables.Laying and Termination of Control and LV & HV Power Cables .LSP Works (Conduiting, Wiring,Installation of Lights and sockets & Lux Measurement) All other activities like Grid Earthing, Main Equipment	Successfully Completed

UAE JOBS

Sl. No.	Client	Project Name	Details of Job	Project Status
10.	Larsen & Toubro Ltd	5Nos New 33/11kV Primary Substations Project A3938 in Al-Ain Area for AADC (Murabba, ADDF, Fertilizer,Sports Ground Sanaiya).	Installation of 3Nos 33/11kV Trafo with all accessories, 3Sets of Capacitor and Reactor Banks, 2Nos Station Service Transformers, 33kV Switchgears(Siemens) and Associate Panels, 11kV Switchgears(ABB) and Associate panels, Control and Relay Panels, 3Nos RTCC Panels, 3Nos Capacitor Control Panels, LDC Panels, Cable Tray and Cable Supports for HV, LV Control Cables, Control and Power Cable Laying and Termination, 33kV and 11kV Cable Laying, 33kV and 11kV Termination works, SMS and necessary FO Cable Laying and Termination, All other activites like Grid Earthing, Main Equipment Earthing, Lighting Pole and Mast Erection, Lighting Protection, Power Wiring for Fire Alarm System etc.	Successfully Completed
11.	Larsen & Toubro Ltd	132/11kV GIS S/s for DEWA at JHRC, Al Barsha. Dubai..	8Bays of 132KV GIS Switch Gear and related bus ducts.(Toshiba) , 60 Bays of 11KV GIS Switch Gear and related bus ducts.(TAMCO), 3Nos 50MVA 132/11kV Power Transformers, 3Nos 1MVA Station Service Trafo and related switch gears and distribution panels,3Nos 1MVA Station Service Trafo and related switch gears and distribution panels,Installation of Outdoor Equipments related to 132/11 KV Feeders, Installation of all Indoor AC & DC Systems , Relay and Protection Panels of transformers and 132/11kV, Cable Tray ,Trunking and Supports for HV Cables,110V Battery System with Newly upgraded BMS(Battery Monitoring System),Laying and Termination of Control and LV & HV Power Cables,All other activities like Grid Earthing, Main Equipment.	Successfully Completed
12.	Larsen & Toubro Ltd	132/11kV GIS S/s for DEWA at DIP, Dubai..	110V Battery System with Newly introduced BMS(Battery Monitoring System)	Successfully Completed
13.	Larsen & Toubro Ltd	33/11kV Substation at ICAD II(North S/s, East S/s South S/s) , Abu Dhabi for ADWEA	Electrical Installations related to 33kV/11 kV GIS Substation and other Electrification Works .	Successfully Completed
14.	Larsen & Toubro Ltd	5Nos New 33/11kV Primary Substations Project A3900 in Al-Ain Area for AADC (Hilli, Aliya, Al Ghadeer, Al Makham, Um Ghafa), 1No Bay Extension works at Al Wagon.	Installation of 3Nos 33/11kV Trafo with all accessories, 3Sets of Capacitor and Reactor Banks, 2Nos Station Service Transformers, 33kV Switchgears(siemens) and Associate Panels, 11kV Switchgears (ABB)and Associate panels, Control and Relay Panels, 3Nos RTCC Panels, 3Nos Capacitor Control Panels, LDC Panels, Cable Tray and Cable Supports for HV, LV Control Cables, Control and Power Cable Laying and Termination, 33kV and 11kV Cable Laying, 33kV and 11kV Termination works, SMS and necessary FO Cable Laying and Termination, All other activites like Grid Earthing, Main Equipment Earthing, Lighting Pole and Mast Erection, Lighting Protection, Power Wiring for Fire Alarm System etc.	Successfully Completed
15.	Larsen & Toubro Ltd	132/33/11kV GIS New Substations in Riffa (A16) Ras Al-Khaimah, FEWA	10Bays of 132kV GIS Swichgear (ABB)and Related Bus Ducts, 27Bays of 33kV GIS Switch Gear and Related Bus Ducts, 2Nos of 60/90MVA 132/33kV Power Transformers and Neutral Earthing Switche-gear, 2Nos 1MVA Station Service Trafo and related Switchgears and Distribution Panels, Installation of Outdoor Equipments related to 132/22kV Feeders, Installation of all Indoor AC&DC Systems , Relay and Protection Panels, Installation of all SCADA Panels, All other activities like Grid Earthing, Main Equipment Earthing, Lighting, Lightning Protection, Cabling for Fire Alarm System & HVAC Units, Tray work includes Fabrication of Bends and Tee's, Control Cable Laying, Termination of Control and LV Power Cables	Successfully Completed

UAE JOBS

Sl. No.	Client	Project Name	Details of Job	Project Status
16.	Larsen & Toubro Ltd	132/33/11kV GIS New Substations in Masafi (A16) Fujairah, FEWA	1)HV Cable Supports and Earthing works. 2)Earthing for HV Cable. 3) HV Termination Related Works. 4) Supplied of Skilled Technician.	Successfully Completed
17.	Larsen & Toubro Ltd	33/11kV 3Nos New Substations for ADWEA in ADPC, Khalifa Industrial Port Zone, Taweela-A) SS101-1, SS101-2, SS101-3	Installation of 3Nos 33/11kV Trafo with all accessories (Emirates Transformers), 3Sets of Capacitor and Reactor Banks, 2Nos Station Service Transformers, 33kV GIS Switchgears and Associate Panels (Siemens), 11kV Siwtchgears and Associate Panels (Siemens), Control and Relay Panels, 3Nos RTCC Panels, 3Nos Capacitor Control Panels, Cable Tray and Cable Supports for HV/LV Control Cables, Control and Power Cable Laying and Termination, 33kV and 11kV Cable Laying and End Termination works, SCM and necessary FO Cable Laying and Termination, All other activities like Grid Earthing, Main Equipment Earthing, Lighting, Pole and Mast Erection, Lightning Protection, Power Cabling for Fire Fighting and HVAC Units etc.	Successfully Completed
18.	Larsen & Toubro Ltd	Expansion of existing Substation Dadhana (A4) Ras Al-Khaima, FEWA	4Bays of 132kV GIS Switch Gear, related Bus Ducts and Control & Relay Panels, 6Bays of 33kV GIS Switch Gear, related Bus Ducts and Control & Relay Panels, 7Bays of 11kV AIS Switch Gear, related Bus Ducts and Control & Relay Panels, 1Nos 50/63 MVA, 132/33/11kV Power Transformers & Neutral Earthing Switchgear, 1Nos 20 MVA, 33/11kV Power Transformer with all accessories, OLTC,RTCC Panels etc., Installation of all Indoor AC&DC Systems, Relay and Protection Panels, All other activities like Grid Earthing, Main Equipment Earthing, Lighting, Lightning Protection, Cabling for Fire Alarm system & HVAC Units Tray work includes fabrication of bends and Tee's, Control Cable Laying, Termination of Control and LV Power Cables	Successfully Completed
19.	Larsen & Toubro Ltd	Installation of 48V Battery in New 132/33/11kV Susbtations in Ajman, Fujairah and Ras Al-Khaimah Area, FEWA	Installation of 48V DC Battery Bank and Redundant Battery Charges at: 1) New Naimiya Main S/S	Successfully Completed
20.	Larsen & Toubro Ltd	132/33kV GIS S/s for TRANSCO & FEWA at Sudoh Port, Fujairah.	11Bays of 132KV GIS Switch Gear and related bus ducts,30 Bays of 11KV GIS Switch Gear and related bus ducts.(Schneider),3Nos 80/1000MVA 132/33kV Power Transformers,3Nos 1MVA Station Service Trafo and related switch gears and distribution panels,Installation of Outdoor Equipments related to 132/13 KV Feeders,Installation of all Indoor AC & DC Systems , Relay and Protection Panels of transformers and 132/33kV,110V Battery System & 48V Battery System,Cable Tray ,Trunking and Supports for HV Cables,Laying and Termination of Control and LV & HV Power Cables, LSP Works (Conducting, Wiring,Installation of Lights and sockets & Lux Measurement) ,All other activities like Grid Earthing, Main Equipment.	Successfully Completed

Sl. No.	Client	Project Name	Details of Job	Project Status
21.	Larsen & Toubro Ltd	132/11kV GIS S/s (N7133) for TRANSCO & ADWEA at Sirbaniyas Island, Abudhabi.	7Bays of 132KV GIS Switch Gear and related bus ducts,47 Bays of 11KV GIS Switch Gear and related bus ducts,3Nos 31.5/40MVA 132/11kV Power Transformers,2Nos 1MVA Station Service Trafo and related switch gears and distribution panels,Installation of Outdoor Equipments related to 132/11 KV Feeders, Installation of all Indoor AC & DC Systems , Relay and Protection Panels of transformers and 132/33kV,110V Battery System & 48V Battery System,Laying and Termination of Control and LV & HV Power Cables, SCMS & FMS System Installation and Necessary Connections,Cable Tray ,Trunking and Supports for HV Cables,LSP Works (Conduiting, Wiring,Installation of Lights and sockets & Lux Measurement),All other activities like Grid Earthing, Main Equipment.	Successfully Completed
22.	Larsen & Toubro Ltd	3Nos 33/11kV GIS Package unit at Al Ariyam Island ADWEA at Abudhabi.	33KV GIS Switch Gear and related bus ducts,11KV GIS Switch Gear and related bus ducts, 3Nos Power Transformers,1Nos 1MVA Station Service Trafo and related switch gears and distribution panels,Installation of Outdoor Equipments related to 33/11 KV Feeders,Installation of all Indoor AC & DC Systems , Relay and Protection Panels of transformers and 33/11kV,Cable Tray ,Trunking and Supports for HV Cables,Laying and Termination of Control Cables,All other activities like Grid Earthing, Main Equipment.	Successfully Completed
23.	Larsen & Toubro Ltd	N8033: 132/33kv kV Substation at Kalba Project for TRANSCO & SEWA	Small Power Works like Installation of Light Fittings and Power Sockets,Control Cable Laying & Termination works.	Successfully Completed
24.	Larsen & Toubro Ltd	220/33kV GIS Mobile S/s (N5812.2A) for TRANSCO & ADWEA at Al Faya , Abudhabi.	1Bay 220kV GIS, 1 Nos 80mva Power Transformer, 13Bay 33kV GIS & auxiliary, LSP Works (Conduiting, Wiring,Installation of Lights and sockets & Lux Measurement),Wiring and installation of Fire alarm device,Cable Tray,Trunking and Support works,2Tower and Gantry installation for Incomer line from Existing OHL,OHL Stringing works from Existing OHL(Connectin while Shutdown),All other activities like Grid Earthing, Main Equipment,Lightning Arrestor etc.,	Successfully Completed
25.	Larsen & Toubro Ltd	Additional Equipment Installation at 4location in Remote end of Project N5812.2A	Stations: SMK1, SMK2, Shahama, Al Wathba,DCDB Modification and connection to below equipments,2Nos Protection Pannel,1No Telecommunication Panel,Associate cabling and termination works,Cable Tray,Trunking and Support works,All other activities like Earthing for Equipment etc.,	Successfully Completed
26.	Larsen & Toubro Ltd	132/11kV GIS S/s (N6384) for TRANSCO & ADWEA at Al Wathba , Abudhabi.	Laying and Termination of Control and LV & HV Power Cables,Cable Tray,Trunking and Support works,All other activities like Grid Earthing, Main Equipment.	Successfully Completed
27.	Larsen & Toubro Ltd	132/11kV GIS S/s (N6384) for TRANSCO & ADWEA at MBZC,Mussafah , Abudhabi.	Supply of Skilled Technicians.	Successfully Completed
28	Larsen & Toubro Ltd	220/33kV Grid Station (N6977) at Ain Al Fayda for TRANSCO & AADC at Al Ain.	LSP Works (Conduiting, Wiring,Installation of Lights and sockets & Lux Measurement)	Successfully Completed
29	Larsen & Toubro Ltd	220/33kV Grid Station at (N7733) Zaker for TRANSCO & AADC at Al Ain.	LSP Works (Conduiting, Wiring,Installation of Lights and sockets & Lux Measurement)	Successfully Completed

Sl. No.	Client	Project Name	Details of Job	Project Status
30.	Larsen & Toubro Ltd	220/33kV Grid Station (N6977) at Ain Al Fayda for TRANSCO & AADC at Al Ain.	9Bays of 220KV GIS Switch Gear and related bus ducts,40 Bays of 33KV GIS Switch Gear and related bus ducts,3Nos 90MVA 220/33kV Power Transformers,3 Nos 90/120MVA, 220/34.5kV ONAN/ONAF Oil filled Power Transformer,Installation of Outdoor Equipments related to 132/11 KV Feeders, Installation of all Indoor AC & DC Systems , Relay and Protection Panels of transformers and 132/33kV,110V Battery System & 48V Battery System,Laying and Termination of Control and LV & HV Power Cables,SCMS & FMS System Installation and Necessary Connections,Cable Tray ,Trunking and Supports for HV Cables,LSP Works (Conduiting, Wiring,Installation of Lights and sockets & Lux Measurement),All other activities like Grid Earthing, Main Equipment.	Successfully Completed
31.	Larsen & Toubro Ltd	220/33kV Grid Station (N7733) at Zaker Grid for TRANSCO & AADC at Al Ain.	17Bays of 220KV GIS Switch Gear and related bus ducts.68 Bays of 33KV GIS Switch Gear and related bus ducts.40 Bays of 11KV GIS Switch Gear and related bus ducts,3Nos 90MVA 220/33kV Power Transformers,3Nos 20MVA 33/11kV Power Transformers,2Nos 1.5MVA Station Service Trafo and related switch gears and distribution panels,Installation of Outdoor Equipments related to 132/11 KV Feeders, Installation of all Indoor AC & DC Systems , Relay and Protection Panels of transformers and 132/33kV,Capacitor and Reactor Bank 3sets,110V Battery System & 48V Battery System,Laying and Termination of Control and LV & HV Power Cables,SCMS & FMS System Installation and Necessary Connections,Cable Tray ,Trunking and Supports for HV Cables,LSP Works (Conduiting, Wiring,Installation of Lights and sockets & Lux Measurement), All other activities like Grid Earthing, Main Equipment.	Successfully Completed
32.	Larsen & Toubro Ltd	A10325 Expansion of 33kV network at Al Ain for AADC (Package Units at Shammal Al Ghrabah and Rawdha Palace.	All Necessary works related to 33/11kV Package unit.	Successfully Completed
33.	Larsen & Toubro Ltd	220kV Overhead Transmission Line Works at BAB2 G/S to Habshan and Asab to Shah for Transco Project N11446	Ground Assembly, Erection & Erection with Tools and Machinery	Successfully Completed
34.	Larsen & Toubro Ltd	Overhead Transmission Line N.11443 - Lot 2.1 – 220 Kv Ohl (400 Kv Design) Bab2 G/S To Asab Switching Station And Realted Modification Works At Bab2 G/S	Ground Assembly, Erection & Erection with Tools and Machinery.	Successfully Completed
35.	Larsen & Toubro Ltd	Supply of Qualified Technicians at Dubai Airport for various erection works.	Tray works, cabling and networks for security system.	Successfully Completed
36.	Larsen & Toubro Ltd	Supply of Qualified Technicians at Abudhabi Airport for various erection works.	Tray works, cabling for Lighting networks for fueling system.	Successfully Completed

Sl. No.	Client	Project Name	Details of Job	Project Status
37.	Larsen & Toubro Ltd	220/33kV GIS Mobile S/s (N5812.2A) for TRANSCO & ADWEA at Al Baraka (BNPP), Western Region,Abudhabi.	1Bay 220kV GIS 1 Nos 80mva Power Transformer, 13Bay 33kV GIS & auxiliary, LSP Works (Conduiting, Wiring,Installation of Lights and sockets & Lux Measurement), Wiring and installation of Fire alarm device,Cable Tray,Trunking and Support works,2Tower and Gantry installation for Incomer line from Existing OHL,OHL Stringing works from Existing OHL(Connec-tin while Shutdown),All other activities like Grid Earthing, Main Equipment,Lightning Arrestor etc.,	Successfully Completed
38.	Larsen & Toubro Ltd	4Nos New 33/11kV Primary Substations Project A10325 in Al-Ain Area for AADC (Al Kurair , Al Majlood,Al Kalif,Al Foha, Al Mohair).	Installation of 3Nos 33/11kV Trafo with all accesso-ries, 3Sets of Capacitor and Reactor Banks, 2Nos Station Service Transformers, 33kV Switchgears(sie-mens) and Associate Panels, 11kV Switchgears (ABB)and Associate panels, Control and Relay Panels, 3Nos RTCC Panels, 3Nos Capacitor Control Panels, LDC Panels, Cable Tray and Cable Supports for HV, LV Control Cables, Control and Power Cable Laying and Termination, 33kV and 11kV Cable Laying, 33kV and 11kV Termination works, SMS and necessary FO Cable Laying and Termination, All other activites like Grid Earthing, Main Equipment Earthing, Lighting Pole and Mast Erection, Lighting Protection, Power Wiring for Fire Alarm System etc.	Successfully Completed
39.	Larsen & Toubro Ltd	1Nos New 33/11kV Primary Substations Project Inside NEW SEHA Hospital in Al-Ain for AADC	Installation of 3Nos 33/11kV Trafo with all accesso-ries, 3Sets of Capacitor and Reactor Banks, 2Nos Station Service Transformers, 33kV Switchgears(sie-mens) and Associate Panels, 11kV Switchgears (ABB)and Associate panels, Control and Relay Panels, 3Nos RTCC Panels, 3Nos Capacitor Control Panels, LDC Panels, Cable Tray and Cable Supports for HV, LV Control Cables, Control and Power Cable Laying and Termination, 33kV and 11kV Cable Laying, 33kV and 11kV Termination works, SMS and necessary FO Cable Laying and Termination, All other activites like Grid Earthing, Main Equipment Earthing, Lighting Pole and Mast Erection, Lighting Protection, Power Wiring for Fire Alarm System etc.	Successfully Completed
39.	Larsen & Toubro Ltd	132/11kV GIS S/s for DEWA at Dubai Hills, Umsuquim. Dubai.	8Bays of 132KV GIS Switch Gear and related bus ducts.(Siemens)60 Bays of 11KV GIS Switch Gear and related bus ducts.(TAMCO)3Nos 50MVA 132/11kV Power Transformers, 3Nos 1MVA Station Service Trafo and related switch gears and distribution panels,Installation of Outdoor Equipments related to 132/11 KV Feeders, Installation of all Indoor AC & DC Systems , Relay and Protection Panels of transform-ers and 132/11kV, Cable Tray ,Trunking and Supports for HV Cables,110V Battery System with Newly upgraded BMS(Battery Monitering System),Laying and Termination of Control and LV & HV Power Cables,All other activities like Grid Earthing, Main Equipment.	Successfully Completed
40.	Larsen & Toubro Ltd	132/11kV GIS S/s for DEWA at Khor Dubai, Dubai.	Cable Tray ,Trunking and Supports for HV Cables, Earthing and Final commisioning Activites.	Ongoing
41.	Larsen & Toubro Ltd	132/11kV GIS S/s for DEWA at Townsquare, Dubai	3Nos 1MVA Station Service Trafo and related switch gears and distribution panels,Installation of Outdoor Equipments related to 132/11 KV Feeders, Installation of all Indoor AC & DC Systems , Relay and Protection Panels of transformers and 132/11kV, Cable Tray ,Trunking and Supports for HV Cables,110V Battery System with Newly upgraded BMS(Battery Monitering System),Laying and Termination of Control and HV Power Cables,All other activities like Grid Earthing, Main Equipment.	Ongoing

Sl. No.	Client	Project Name	Details of Job	Project Status
Grid Substations-Electromechanical				
1	M/s Saudi National Contracting Company LLC	132kV Uvainath Grid Station	Electrical Installation works at 132kV Uvainath Grid Station	Ongoing
2	M/s Saudi National Contracting Company LLC	132kV Shinas Grid Station	Electrical Installation works at 132kV Shinas Grid Station	Ongoing
3	M/s Saudi National Contracting Company LLC	132kV Dibba Grid Station	Electrical Installation works at 132kV Dibba Grid Station	Ongoing
4	M/s Saudi National Contracting Company LLC	132kV Tibat Grid Station	Electrical Installation works at 132kV Tibat Grid Station	Successfully Completed
5	M/s Larsen & Toubro (Oman) LLC	400kV Reactor Bank Installation Works in SUR & IZKI Grid Station	Electrical Installation of 400kV Reactor Banks in SUR & IZKI Grid Station	Ongoing
6	M/s Larsen & Toubro (Oman) LLC	220/132/33kV MSQ Grid Station	Electrical Installation works at 220/132/33kV MSQ Grid Station	Ongoing
7	M/s Larsen & Toubro (Oman) LLC	132kV Barka & Khadra Grid Station Extension.	Addition of 3rd and 4th Transformer at Barka & Khadra Grid Stations and associated works	Ongoing
8	M/s Larsen & Toubro (Oman) LLC	Construction of 132kV Suwaiq & Das Grid Station	Electrical Installation works at 132kV Suwaiq & DAS Grid Station	Successfully Completed
9	M/s Larsen & Toubro (Oman) LLC	132kV Salalah Free Zone Grid Station	Electrical Installation works at 132kV Salalah Free Zone Grid Station	Successfully Completed
10	M/s Larsen & Toubro (Oman) LLC	Construction of 132/33kV Grid Substation and Installation of Required 132kV Cables	Electrical Installation works at 132kV SADA Grid Station & Carryout Laying of 132kV, 1Cx2500Sqmm XLP Insulated Copper Cable and Fibre Optic Cable along with 50mm HDPE Pipe in buried Cable Trench from Proposed SADA Grid Station to Take Off Point	Successfully Completed
11	M/s Galfar Engineering & Contracting SAOG	220kV Sohar Free Zone Grid Station	Electrical Installation works at 220kV Sohar Free Zone Grid Station	Successfully Completed
12	M/s Galfar Engineering & Contracting SAOG	132kV Alkamil Grid Station	Electrical Installation works at 220kV Sohar Free Zone Grid Station	Successfully Completed
13	M/s Galfar Engineering & Contracting SAOG	220kV Sohar Free Zone Grid Station	Provide Services of 3 (Three) Qualified Testing Engineers on "Lumpsum" basis for a Period of 3 Months to assist Galfar Protection Team during Testing and Commissioning activities pertaining to the Project titled "Construction of Al Kamil & Al Wafi 132/33kV Grid Station and associated Transmission Line.	Successfully Completed
14	M/s Galfar Engineering & Contracting SAOG	220kV Sohar Free Zone Grid Station	Provide Services of 3 (Three) Qualified Testing Engineers on "Lumpsum" basis for a Period of 3 Months to assist Galfar Protection Team during Testing and Commissioning activities pertaining to the Project titled "Construction of 220/132/33kV Grid station at SFZ and associated Upgradation of Liwa Grid Station	Ongoing
15	M/s Larsen & Toubro (Oman) LLC	132kV IZKI Grid Station	Electrical Installation Works	Successfully Completed
16	M/s Larsen & Toubro (Oman) LLC	400kV IZKI Grid Station	Electrical Installation Works	Successfully Completed
17	M/s Larsen & Toubro (Oman) LLC	400kV MISFA Grid Station	Electrical Installation Works	Successfully Completed
18	M/s Civil Contracting Co. (CIVILCO) LLC	132/33kV Madinat Barka Substation	Electrical Installation and Commissioning Support Works	Successfully Completed
19	M/s Larsen & Toubro (Oman) LLC	132kV Amrat, Mabela-1&2 Grid Station and Associated 132kV Cable Laying Works	Electrical Installation Works in 132kV Amrat, Mabela-1&2 Grid Station and Associated 132kV Cable Laying Works between Mabele-1,2 and Seeb.	Successfully Completed

Sl. No.	Client	Project Name	Details of Job	Project Status
20	M/s Arabian Industries Projects LLC	132kV Al-Ayjah Grid Substation and Associated Transmission Lines	Installation of Electrical Equipments at 132kV Al-Ayjah Grid Substation, Sur	Successfully Completed
21	M/s Galfar Engineering & Contracting SAOG	132kV Ghala & Airport Grid Station	Installation of 132kV & 33kV Electrical Equipments, Laying and Termination of Power & Control Cables, Earthing etc	Successfully Completed
22	M/s Larsen & Toubro (Oman) LLC	132/33kV Grid Substations at Buraimi, Sohar and Shinas	Electromechanical Installation works at 132/33kV Buraimi, Sohar and Shinas Grid Substations'	Successfully Completed
23	M/s Saudi National Contracting Company LLC	New 220kV Misfah and Barka Grid Station and Installation of Required OHL	Electrical Installation of 220KV Barka, Misfa Grid Station and Associated OHL Shutdown works.	Successfully Completed
24	M/s Galfar Engineering & Contracting SAOG	Upgrading of Mudhaibi, Rustaq and Izki Grid Substations	Carryout De-gassing, Vacuuming, Filtering of Oil and Filling of Oil for 125MVA Transformer Main Tank without Fixing of Accessories at Rustaq, Mudhaibi and Izki Grid Substations	Successfully Completed
25	M/s Larsen & Toubro (Oman) LLC	132/33kV Outdoor Grid Substations at Al-Khalata & Al-Amin Area for PDO	Electrical Installation works-132/33kV Outdoor Grid Substations at Al-Khalata & Al-Amin Area for PDO	Successfully Completed
26	M/s Larsen & Toubro (Oman) LLC	132/33kV Mawallah Grid Substation	Electrical Installation works at Mawallah Grid Substation	Successfully Completed
27	M/s Galfar Engineering & Contracting SAOG	Upgrading of Mudhaibi, Rustaq and Izki Grid Substations	Instalaltion of 132kV & 33kV Indoor Type CRP Panels, 33kV Switchgears & RTCC, Fabrication and Installation of Cable Trays, Laying, Glanding and Termination of Control Cables at Izki Grid Substation	Successfully Completed
28	M/s Larsen & Toubro (Oman) LLC	Electrical Installation Works-132/11kV Grid Substation and 132kV Cabling System for MC-5 Development of Salalah Airport	Electrical Installation Works-132/11kV Grid Substation and 132kV Cabling System for MC-5 Development of Salalah Airport & Electrical Installation works inside MC-5 Project Various Locations (OPDS, PDS & Chiller Plant) and 11kV Cable Laying, Terminations and All Associated works for MC-5 Development of Salalah Airport	Successfully Completed
29	M/s Larsen & Toubro (Oman) LLC	132/33kV Samail Grid Substation	Transformer Dismantling and Reinstallation works-132/33kV Transformer and Associated Civil & Electromechanical works at Samail Grid Substation	Successfully Completed
30	M/s Oman Electricity Transmission Company SAOC	Testing Works in Various OETC Grid Substations in Oman	Modification works in existing Control/Protection Scheme for introducing Cross Tripping System in Various OETC Grid Substations in Oman	Successfully Completed
31	M/s Oman Electricity Transmission Company SAOC	Testing Works in Various OETC Grid Substations in Oman	Providing Service of Protection Specialist Engineer for Relay Configuration Verification and Scheme Check in Various OETC Grid Substations in Oman	Successfully Completed
32	M/s Larsen & Toubro (Oman) LLC	Shutdown works at Wadi Kabir Grid Substation	Revamping of Flash Over 33kV Incomer Panel at Wadi Kabir Grid Station including Supply of Consumables and Cleaning etc	Successfully Completed
33	M/s ABB LLC	132/33kV Barka Grid Substation	Replacement of Valves of New 132/33kV MVA Transformer at Barka Grid Station	Successfully Completed
34	M/s Saudi National Contracting Company LLC	Construction of Sur 220kV Grid Station and Associated Transmission Line between Sur and Jahloot	Electromechanical Installation works, Laying and Termination of LV Power and Control Cables and Erection of Cable Tray Installation works at Sur Grid Substation	Successfully Completed
35	M/s ABB LLC	132/33kV Rustaq Grid Station	Installation of New 132/33kV MVA Transformer Accessories with Oil Filtration works at Rustaq Grid Station	Successfully Completed
36	M/s Siemens LLC	Various OETC Grid Substations in Oman	Structure Modification works at Various Grid Substations in Muscat	Successfully Completed
37	M/s Larsen & Toubro (Oman) LLC	Jalan Banu Bu'ali Grid Substation	Carryout Replacement of Bushing for 132/33kV Transformer and Associated Civil & Electromechanical works at Jalani Bani Bu Ali Grid Substation	Successfully Completed

OMAN JOBS

Sl. No.	Client	Project Name	Details of Job	Project Status
38	M/s Larsen & Toubro (Oman) LLC	220kV New Sohar Grid Substation & Installation of Required OHL	Electromechanical Installation works & Installation and Laying of 220kV Cable & Termination works	Successfully Completed
39	M/s Larsen & Toubro (Oman) LLC	132/33kV Ibri Grid Substation	Installation and Erection of Electrical Equipments of 132kV Outdoor Switchyard at Ibri Grid Substation	Successfully Completed
40	M/s Oman National Engineering & Investment Company SAOG	Various OETC Grid Substations in Oman	Installation of CTs and Lay Control Cables to 33kV Switchgears, Install Meters and Connect the CT & VT in 46 OETC Grid Substations	Successfully Completed
41	M/s Larsen & Toubro (Oman) LLC	132/33kV SFZ and IWPP Grid Substations, Salalah	Electromechanical Installation works at SFZ and IWPP Grid Substations at Salalah	Successfully Completed
42	M/s Siemens LLC	Wadi Saa, Misfah, Yitti, Muttrah, Qurum, Seeb and Jahloot Grid Stations	Supply of Manpower for 132kV GIS Installation at Wadi Saa, Misfah, Yitti, Muttrah, Qurum & Seeb Grid Stations and 132kV AIS Installation at Jahloot Grid Station	Successfully Completed
43	M/s Larsen & Toubro (Oman) LLC	220/132/33kV Airport Height Grid Substation	Cable Termination works and Installation of Transformer Sprinkler Systems	Successfully Completed
44	M/s Larsen & Toubro (Oman) LLC	132/33kV Saham Grid Substation	Installation of 132kV GIS, 33kV GIS and Assembly Transformers	Successfully Completed
45	M/s Larsen & Toubro (Oman) LLC	132/11kV Azaiba Coastal Grid Substation	Installation and Erection of Electrical/Mechanical Equipments & Items, Installation of Fire Fighting Sprinklers for 50MVA Transformers, Cabling, Earthing and Lighting works inside the Substation	Successfully Completed
46	M/s Larsen & Toubro (Oman) LLC	132/33kV Liwa Grid Substation	Electrical Equipment Installation, Cable Laying and Termination works	Successfully Completed
PTD-Primary Substations-Electromechanical				
47	M/s Global Chemicals and Maintenance Systems LLC	33kV Kasab Outdoor Primary Substation	Dismantling of Kasab Outdoor Primary Substation	Successfully Completed
48	M/s Bahwan Engineering Company LLC	Addition of 2 nos 20MVAR Capacitor Bank in Sur Grid Station and JBB Ali Grid Station.	Addition of 2 nos 20MVAR Capacitor Bank in Sur Grid Station and JBB Ali Grid Station and Associated Power & Control Cabling Works.	Successfully Completed
49	M/s Rukun Al Yaqeen International LLC	Construction of 33/11kV Primary Substation at Al Ansab	Electrical Equipment Installation works in 33/11kV Primary Substation at Al Ansab	Successfully Completed
50	M/s Al Watanyiah United Engineering & Contracting Co. LLC	Construction of 33/11kV Primary Substation at Sur Desalination Plant	Electrical Equipment Installation works in 33/11kV Primary Substation at Sur	Successfully Completed
51	M/s Al Watanyiah United Engineering & Contracting Co. LLC	Construction of 33/11kV Primary Substation at Duqm	Electrical Equipment Installation works at Duqm	Successfully Completed
52	M/s Al Watanyiah United Engineering & Contracting Co. LLC	Construction of 33/11kV 2x20MVA Primary Substation at Khasab	Electrical Equipment Installation works at Khasab	Successfully Completed
53	M/s Al Watanyiah United Engineering & Contracting Co. LLC	Construction of 33/11kV 2x20MVA Primary Substation at Al-Husn II	Electromechanical Installation works at Al-Husn-II Primary Substation	Successfully Completed
54	M/s Larsen & Toubro (Oman) LLC	33/11kV MOD Primary Substation	Electro-mechanical Installation works in 33/11kV MOD Primary Substation	Successfully Completed
55	M/s Larsen & Toubro (Oman) LLC	Upgrading of Existing Primary Substation at Shahbari, Mabela South-4 and Construction of New 33/11kV, 3x20MVA Primary Substations at Azaiba North-3	Electrical & Mechanical Installation works in Mabela South-4 Primary Substation	Successfully Completed
56	M/s Oman National Engineering & Investment Company SAOG	Upgradation of 33/11kV Muttrah Primary Substation	Electromechanical Installation works at Muttrah Primary Substation	Successfully Completed

Sl. No.	Client	Project Name	Details of Job	Project Status
57	M/s Larsen & Toubro (Oman) LLC	33/11kV Sahal Noot Primary Substation, Salalah	Installation of Electrical Equipments and Cable Laying and Termination works at 33/11kV Sahal Noot Primary Substation	Successfully Completed
58	M/s Oman National Engineering & Investment Company SAOG	33/11kV Royal Hospital Primary Substation	Installation of All Equipments in Control & Relay Room with All Required Frame and Supports (Relay Panel Set, LVAC Panel, 110V & 30V DC Panels, Tariff Metering Panels, RTCC Panels, Scada Panels etc), Installation of 11kv Switchgear and DC System, Laying and Termination of HV/LV, Power and Control Cables	Successfully Completed
59	M/s Larsen & Toubro (Oman) LLC	33/11kV Al-Bustan (Majlis Oman) Primary Substation	Electromechanical Installation works at Majlis Primary Substation at Al-Bustan	Successfully Completed
60	M/s ABB LLC	33/6.6kV Oman Cement Company Primary Substation, Rusayl	Installation of 33kV and 6.6kV Switchgear at OCC's Primary Substation, Rusayl	Successfully Completed
61	M/s Larsen & Toubro (Oman) LLC	33/11kV Wali's Office Primary Substation, Salalah	Electromechanical Installation works at Wali's Office Primary Substation	Successfully Completed
62	M/s Larsen & Toubro (Oman) LLC	33/11kV Al-Ansab Primary Substation	Electromechanical Installation works at Al-Ansab Primary Substation, Buraimi	Successfully Completed
63	M/s Oman National Engineering & Investment Company SAOG	33/6.6kV Al-Madina Cement Company Primary Substation, Buraimi	Electromechanical Installation works at AMC Primary Substation, Buraimi	Successfully Completed
64	M/s Larsen & Toubro (Oman) LLC	33/11kV North Awqad Primary Substation	Installation of Electrical Equipments at North Awqad Primary Substation	Successfully Completed
65	M/s Larsen & Toubro (Oman) LLC	33/11kV Primary Substations & 33kv Distribution Network at Duqm Area in Al--Wusta Region	Electromechanical Installation works in DNSS, PORT, DUQS, BEACH, TWN1, TWN2 & AIRPORT Primary Substations including Dry-Dock and Power Station works	Successfully Completed
66	M/s Galfar Engineering & Contracting SAOG	33/11kV Sur Al Hadid Primary Substation	Installation of Electrical Equipments inside and outside the building, HV/LV/ Control Cable Laying, Glanding and Termination, Cable Trays, Fabrication of Bends and Miscellaneous Installation works at Sur Al Hadid Primary Substation	Successfully Completed
67	M/s Galfar Engineering & Contracting SAOG	33/11kV Rusayl Primary Substation	Installation of Electrical Equipments inside and outside the building, HV/LV/ Control Cable Laying, Glanding and Termination, Cable Trays, Fabrication of Bends and Miscellaneous Installation works at Rusayl Primary Substation	Successfully Completed
68	M/s Galfar Engineering & Contracting SAOG	33/11kV Mawallah Primary Substation	Installation of Electrical Equipments inside and outside the building, HV/LV/ Control Cable Laying, Glanding and Termination, Cable Trays, Fabrication of Bends and Miscellaneous Installation works at Mawallah Primary Substation	Successfully Completed
69	M/s Galfar Engineering & Contracting SAOG	33/11kV Ghala Primary Substation	Installation of Electrical Equipments inside and outside the building, HV/LV/ Control Cable Laying, Glanding and Termination, Cable Trays, Fabrication of Bends and Miscellaneous Installation works at Ghala Primary Substation	Successfully Completed
70	M/s Larsen & Toubro (Oman) LLC	33/11kV Mawallah-C Primary Substation	Electrical Equipment Installation works at Mawallah-C Primary Substation	Successfully Completed
71	M/s Galfar Engineering & Contracting SAOG	33/11kV Walja Primary Substation	Electrical Equipment Installation works at Walja Primary Substation	Successfully Completed
PTD-Cable Laying				
72	M/s Larsen & Toubro (Oman) LLC	Construction of 400kV Cables/OHL Between Sohar IPP3 and 400kV SFZ GS	Carryout Laying of 400kV, 1Cx2500Sqmm XLPE Insulated Copper Cable in Concrete Cable Trench from Proposed Sohar IPP-3 to 400kV SFZ Grid Station. (Route Length: Four Circuit together - 4.1 KM & Double Circuit - 6 KM)	Successfully Completed

OMAN JOBS

Sl. No.	Client	Project Name	Details of Job	Project Status
73	M/s Larsen & Toubro (Oman) LLC	Construction of 132/33kV Grid Substation and Installation of Required 132kV Cables	Carryout Laying of 132kV, 1Cx2500Sqmm XLP Insulated Copper Cable and Fibre Optic Cable along with 50mm HDPE Pipe in buried Cable Trench from Proposed SADA Grid Station to Take Off Point (6.5KM X 4Ckts)	Successfully Completed
74	M/s Oman Electricity Transmission Company SAOC	Emergency works at Barka Grid Station	Replacement of Damaged 132kV Cables between 125MVA Transformer and GIS with 132kV Straight Joint & End Termination at Transformer End.	Successfully Completed
75	M/s Oman Electricity Transmission Company SAOC	Emergency works at SIS Grid Station	Replacement of Damaged 33kV Cables between 500MVA Transformer-2 and EAT-2 at SIS Grid Station	Successfully Completed
76	M/s Rukun Al Yaqeen International LLC	33kV Cabling Works - Gobra PSS to Gobra GS	33kV UG Cable Laying & Associated Works-Ghobrah	Successfully Completed
77	M/s Oman Electricity Transmission Company SAOC	Emergency works at Mahdha Grid Station	Replacement of Damaged 132kV Cable Sealing End of 315 MVA Transformer # 1 at Mahadah Grid Station	Successfully Completed
78	M/s Larsen & Toubro (Oman) LLC	132kV Cabling Works	132kV Cabling works and Associated works upto Commissioning of Cables from Mabela-1 to Mabela-2 GS (Route Length=840Mtrs)	Successfully Completed
79	M/s Oman Electricity Transmission Company SAOC	Emergency works at Buraimi	Locate, Investigate and Rectify the cable fault of 132kV Mahadah-Buraimi-2 (Emergency work)	Successfully Completed
80	M/s Oman Electricity Transmission Company SAOC	Seeb Grid Station	Removing of Old Unwanted Cables at Seeb Grid Station and Handing Over of Removed Unwanted Cables to OETC Store	Successfully Completed
81	M/s Larsen & Toubro (Oman) LLC	132/33kV Dank Grid Substation and Associated 132kV Cable Laying works	132kV 1Cx800Sqmm Cable Laying for 63MVA Transformer 1&2 at Dank Grid Substation	Successfully Completed
82	M/s Larsen & Toubro (Oman) LLC	132/33kV Mawallah Grid Substation and Associated 132kV Cable Laying works to Seeb GS	132kV Cable Laying and Associated works for Mawallah Grid Station to Seeb Grid Station	Successfully Completed
83	M/s Galfar Engineering & Contracting SAOG	Construction of 132/33kV Grid Substation and Installation of Required 132kV Cables	Carryout Laying of 132kV, 1Cx2500Sqmm XLP Insulated Copper Cable and Fibre Optic Cable along with 50mm uPVC Pipe in buried Cable Trench from Proposed Ghala Grid Station to Aiport Grid Station	Successfully Completed
84	M/s Larsen & Toubro (Oman) LLC	132kV SFZ and Awqad Grid Substation and Associated 132kV Cable Laying works	132kV, 1Cx2500Sqmm Cable Laying and Associated works at SFZ and Awqad Grid Substations	Successfully Completed
85	M/s Ozdil Energy Resources LLC	New 220/132kV Wadi Adai Grid Substation & Associated Transmission Line	220kV & 132kV Cable Laying at Wadi Adai GS (Jahloot)	Successfully Completed
86	M/s Larsen & Toubro (Oman) LLC	Upgrading Jahloot Grid Substation and Associated 220kV OHL Route from Misfah to Jahloot	220kV and 132kV Cable Installation works at Misfah and Jahloot Grid Substations	Successfully Completed
87	M/s Larsen & Toubro (Oman) LLC	Construction of 2x50MVA 132/11kV Substation with 132kV UGC for Aluminium Rolling Mill at Sohar	132kV Cable Laying works from ARMS Grid Substation to Liwa Grid Substation	Successfully Completed
88	M/s Nagarjuna Construction Company International LLC	Production of Process Water for Sohar Industrial Port Area	Laying and Installation of 33kV, FO & Pilot Cables in all aspects for Production of Process Water for Sohar Industrial Port Area	Successfully Completed
89	M/s Saudi National Contracting Company LLC	New 220kV Misfah and Barka Grid Station and Installation of Required OHL	220kV Cable Installation works from Barka Grid Substation to Filayj Grid Substation including Civil Excavation works	Successfully Completed

Sl. No.	Client	Project Name	Details of Job	Project Status
90	M/s Civil Contracting Co. (CIVILCO) LLC	Construction of OHL Wasit-Buraimi & Dank-Hayl	132kV Cable Laying works at Buraimi	Successfully Completed
91	M/s Galfar Engineering & Contracting SAOG	Construction of Muttrah Grid Substation	Carryout Laying of Two Circuits of 132kV, 2500Sqmm Cable along with FOC (2 Nos) from Muttrah Grid Substation to Terminal (AP21) near the Friday Market and assistance of Jointing and Terminations	Successfully Completed
92	M/s Larsen & Toubro (Oman) LLC	132kV Misfah Grid Substation	Laying of 12 Runs of 132kV 1Cx2500 Sqmm Cable from Outdoor Cable Sealing End to 132kV GIS Cable Cellar	Successfully Completed
93	M/s Galfar Engineering & Contracting SAOG	VALE OIC Substation, Sohar	Installation of One 132kV Cable Circuit comprising of Three 1Cx2000Sqmm XLPE Cable and 24F FOC Armoured Cable from OETC SIA Phase 1 Substation to VALE OIC Substation	Successfully Completed
94	M/s Civil Contracting Co. (CIVILCO) LLC	Construction of 220kV OHL 3rd and 4th Circuit from Barka GS to Al Falayj GS	220kV Cable Laying including related Civil works from Barka GS to Falayj GS	Successfully Completed
95	M/s Oman United Engineering Services LLC	Construction of Internal Roads at Bousher Phase-4	Dismantling of OHL Line and Laying of 11kV Cable at Bousher Area	Successfully Completed
96	M/s Galfar Engineering & Contracting SAOG	11kV and LV Cable Laying works at New Villa - Allam Heights	11kV and LV Cable Laying works at New Villa - Allam Heights	Successfully Completed
97	M/s Larsen & Toubro (Oman) LLC	Qarn Alam-PDO (North Oman)	Cable Laying works at Qarn Alam, PDO (North Oman)	Successfully Completed
98	M/s Remcon Electrical Co LLC	Sohar Aluminium, Sohar	Replacement of Faulty 220kV, 1Cx2000Sqmm Cable Laying works at Sohar Aluminium at Sohar	Successfully Completed
99	M/s Larsen & Toubro (Oman) LLC	33/11kV Primary Substations & 33kv Distribution Network at Duqm Area in Al-Wusta Region	Laying of 33kV 3Cx300 Sqmm Cable Laying and 11kV 3Cx240 Sqmm Cable Laying works at Duqm Area in Al-Wusta Region	Successfully Completed
100	M/s Larsen & Toubro (Oman) LLC	33/11kV Qurum Primary Substation Associated 33 kV Cable Laying Works	33kV Cable Laying works at Qurum Primary Substation	Successfully Completed
PTD-Over Head Lines				
101	M/s Rukun Al Yaqeen International LLC	132kV Tower Erection & Stringing Works at Salalah	132kV OHL Installation works between Awqad GSS and Al Qurum GSS- Salalah	Successfully Completed
102	M/s Saudi National Contracting Company LLC	Construction of New 220kV Grid Station and Associated Transmission Line between Sur and Jahloot	Erection of 400kV OHL Towers in Sur-Jahloot OHL Project	Successfully Completed
103	M/s Larsen & Toubro (Oman) LLC	Upgrading Jahloot Grid Substation and Associated 220kV OHL Route from Misfah to Jahloot	220kV Tower Erection & Tightening works for DS, D2, D6, D9 & DT with Necessary Leg Extension and Body Extension at Jahloot, Conductor Lights, Aviation Warning Spheres, Spacers and Vibration Dampers & Installation of Jumpering with Jumper Spacer in Tension Towers	Successfully Completed
104	M/s Saudi National Contracting Company LLC	New 220kV Misfah and Barka Grid Station and Installation of Required OHL	LILO OHL Works at Misfah Grid Substation and Installation of Tower Lights, Conductor Lights, Aviation Warning Sphere and Stringing works in Misfah and Barka both ends including Droppers	Successfully Completed
105	M/s Larsen & Toubro (Oman) LLC	Ibri-Dank OHL	Installation of 2nd (Bottom) Tower Warning Light in 132kV OHL (Ibri to Dank)	Successfully Completed
106	M/s Larsen & Toubro (Oman) LLC	220kV New Sohar Grid Substation & Installation of Required OHL	220kV Tower Assembly and Erection works including Tower Accessories with Crane and Tightening of Complete Towers at New Sohar Grid Substation	Successfully Completed
107	M/s Larsen & Toubro (Oman) LLC	Ibri-Dank OHL	220kV / 132kV Tower Installation works including Ground Assembly, Erection and Tightening of Towers by Crane	Successfully Completed

OMAN JOBS

Sl. No.	Client	Project Name	Details of Job	Project Status
108	M/s Larsen & Toubro (Oman) LLC	132/33kV Wadi Saa Grid Substation	132kV Tower Erection, Stringing of YEW Conductors and Dismantling of Existing 132kV Wooden Pole Line during Shutdown at Wadi Saa Grid Substation	Successfully Completed
109	M/s Gam & Partners LLC	Diversion of 132kV Lines in Bausher Area at Muscat Governorate	Construction of 132kV Double Circuit Transmission Line (Diversion of the 132kV Transmission lines in Bausher Area) including Sorting of the Towers, Transportation to the Tower Locations, Ground Assembly, Erection of the Towers, Painting of the Towers, Installation of the Insulator, Fitting and Accessories, Stringing of the Conductor and OPGW and Shifting Dismantles Towers to Client Stores	Successfully Completed
110	M/s Larsen & Toubro (Oman) LLC	Replacing Portions of 220/132kV OHL in Muscat Governorate with Cables Phase-1, Part-1	Shutdown and Tower Dismantling works at Bausher Grid Station	Successfully Completed
111	M/s Larsen & Toubro (Oman) LLC	220kV OHL Works- Blue City, Barka	220kV Transmission Tower Erection work with Crane including Ground Assembly and Manual Tightening of Bolts and Nuts at Blue City, Barka	Successfully Completed
112	M/s Larsen & Toubro (Oman) LLC	220kV OHL Works - Al-Wasit	220kV Tower Erection works with Crane/Manual including Ground Assembly and Tightening of Bolts and Nuts at Al-Wasit [70 Towers]	Successfully Completed
113	M/s Galfar Engineering & Contracting SAOG	Hubarah-Saihrawl-132kV OHL (North)	Seggregate, Assemble and Erection of Steel OHL Towers (57 Towers within a distance of 150Km at Saihrawl-Barik-Sahmah OHL Route)	Successfully Completed
114	M/s Larsen & Toubro (Oman) LLC	LT/HT OHL Works at Salalah	LT/HT OHL Extension at Hagif Kasmeem, Sahal Garzeez, Ayn Razat, Hairity/Jibjat, Qashroob, Aseanour, Dammer, Khafoog, Heyam, Harbour, Kamaid and Akansand Area	Successfully Completed
Industrial & Commercial Projects				
115	M/s Larsen & Toubro Electromech LLC	Electrical Installation Works in IBRI Independent Power Project.	Electrical Installation and Testing Commissioning of Equipment and 400kV Cable Laying to OETC Grid Station.	Ongoing
116	M/s Petrofac	Electrical HV & MV Works at SRIP Pkg-5	Providing Testing Engineers & Technicians for Final Commissioning Assistance Works.	Ongoing
117	M/s Petron Gulf L.L.C	Electrical HV & MV Works at SRIP Pkg-5	Sohar Refinery Improvement Project -Package-5, Sohar - Electrical Installation Works	Successfully Completed
118	M/s Petron Gulf L.L.C	Electrical HV & MV Works at SRIP Pkg-5	Sohar Refinery Improvement Project -Package-5, Sohar - Electrical Testing & Commissioning Works	Successfully Completed
119	M/s Oiltanking Odfjell Terminal & Co LLC	OOT, Sohar	Electrical Maintenance (Annual) Works	Successfully Completed
120	M/s Larsen & Toubro Electromech LLC	JSIS, Sohar	Electrical/Instrument Installation of Rolling Mill	Successfully Completed
121	M/s Hyundai Engineering Co Ltd	Musandam Gas Plant, Musandam	Electrical/Instrument Construction work of Musandam Gas Plant and in Offsite Parking Lot at Oman Musandam Gas Plant, Musandam.	Successfully Completed
122	M/s International Water Treatment LLC	Development of an Independent Water Project at Al-Ghubrah	Electromechanical Installation works in EB-1 Independent Water Project at Al-Ghubrah	Successfully Completed
123	M/s Towell Engineering Service Company LLC	Oman Oil Tanker Filling Station, Mina Al Fahal	Cable Glanding and Termination works at Oman Oil Tanker Filling Station, Mina Al Fahal	Successfully Completed
124	M/s SUEZ Tractebel Operation and Maintenance Oman LLC	Barka II Power Plant	Laying of 2600Mtr of 500Sqmmx1C & 4300Mtr of 300Sqmmx1C Cables & Removing Old One and Termination at both Ends	Successfully Completed
125	M/s Sarooj Construction Company LLC	Mirbat, Rasmat Raka and Rasal Hat	Installation of DGPS Antena in Mirbat, Rasmat Raka and Rasal Hat	Successfully Completed

Sl. No.	Client	Project Name	Details of Job	Project Status
126	M/s Larsen & Toubro Electromech LLC	SMS Electro-Instrumental Erection works in JSIS, Sohar	Electrical works (Erection, Testing & Commissioning), Cable Laying and Termination & LT Transformer and Bus Duct Installation works at JSIS, Sohar	Successfully Completed
127	M/s Nagarjuna Construction Company International LLC	Production of Industrial Water at Sohar Industrial Port Area using Reverse Osmosis (Desalination Project)	Installation, Termination, Testing and Commissioning of Electrical & Instrumentation works in all Building and Inside Plot	Successfully Completed
128	M/s G S Neotek LLC	Sohar II IPP	Laying and Termination of LV Power and Control Cable and GI Conduiting works at Sohar II IPP. Punch List Attending & Clearing-I&C Punch List with A,B,C Priority (853 Nos) and Electrical Punch List with A,B, C Priority (955 Nos)	Successfully Completed
129	M/s Galfar Engineering & Contracting SAOG	Electical works at Al-Ameen Mosque-Bausher	Carryout Laying, Glanding and Termination of Incoming LV Cables at Al-Ameen Mosque-Bausher	Successfully Completed
130	M/s International Electric Company (Oman) LLC	Majlis Oman	Carryout 4Cx185Sqmm XLPE and 3Cx240Sqmm XLPE Cable Laying works in Majlis Oman	Successfully Completed
131	M/s Galfar Engineering & Contracting SAOG	Electrical works at National Heart Centre-Royal Hospital	Carryout Cable Termination works at National Heart Centre-Royal Hospital	Successfully Completed
132	M/s G S Neotek LLC	Sohar II IPP	Installation of Isolated Phase Bus Duct from Generator to Generator Circuit Breaker and from Generator Circuit Breaker to Generating Transformer (including Aluminium Welding of Bus Duct and Bus Bar, GI Pipe Installation for Compressed Air) and Installation of Generator Circuit Breaker (21kV, 13300A, 1000kV, 3 Phase) at Sohar II IPP	Successfully Completed
133	M/s Larsen & Toubro Electromech LLC	Oil Storage and Terminal Facilities Ph-6-Sohar Port	Electrical and Instrumentation Installation works at OOT-PH-6, Sohar	Successfully Completed
134	M/s Special Technical Services LLC	Amal On Plot Steam Facilities Project	Electrical and Instrument Associated works at Amal	Successfully Completed
135	M/s Galfar Engineering & Contracting SAOG	Expansion of Water Reservoir Pumping Station of Barka	Carryout 11kV Cable Laying, Testing and Commissioning, Conducting HV Testing of 2Nos 11kV 3Cx400Sqmm and 3Cx120Sqmm Cable and Associated works	Successfully Completed
136	M/s VA Tech Wabag Ltd	Duqm Desalination Plant	Erection, Testing & Commissioning of Transformer at Duqm Desalination Plant	Successfully Completed
137	M/s Voltamp Power LLC	Sohar Industrial Area	Installation of Copper Bus Bar and 110kV Insulators and Support Insulators at Sohar Industrial Area	Successfully Completed
138	M/s Larsen & Toubro Electromech LLC	VALE Pelletizing Plant, Sohar	Electrical and Instrumentation Installation works at VALE Pelletizing Plant, Sohar	Successfully Completed
139	M/s Mustafa Sultan Security & Communcation Systems Co LLC	Royal Opera House, Qurum	Electrical works-Containment Conduiting and Cabling at ROH, Qurum	Successfully Completed
140	M/s Larsen & Toubro Electromech LLC	Independent Water and Power Plant, Salalah	Electrical and Instrumentation Installation works at IWPP, Salalah	Successfully Completed
141	M/s Mustafa Sultan Electronics Co. LLC	Government Office Building, Al-Khuwair	Electrical Installation works at GOB, Al-Khuwair	Successfully Completed
142	M/s Larsen & Toubro Electromech LLC	Oil Storage and Terminal Facilities Ph-4 & 5-Sohar Port	Electrical and Instrumentation Installation works at OOT-PH-4&5, Sohar	Successfully Completed
143	M/s Mustafa Sultan Security & Communcation Systems Co LLC	ISS, Qurum	Electrical Installation works at ISS Office, Qurum	Successfully Completed

BAHRAIN JOBS

Sl. No.	Client	Project Name	Details of Job	Project Status
1.	AIES/ Siemens	EWA 400/220kV GIS S/s at Hidd, Bahrain.	10Bays of 400KV GIS Switch Gear and related bus ducts.(Siemens),19 Bays of 220KV GIS Switch Gear and related bus ducts.(Siemens),21kV GIS Switch Gear and related busducts (Siemens),2Nos 2MVA Station Service Trafo and related switch gears and distribution panels,Installation of Outdoor Equipments related to 132/11 KV Feeders,Installation of all Indoor AC & DC Systems , Relay and Protection Panels,Cable Tray ,Trunking and Supports for HV Cables,110V Battery Bank,Laying and Termination of Control and LV, HV, EHV & MV Power Cables,All other activities like Grid Earthing, Main Equipment.	Ongoing
2.	AIES/ Siemens	EWA 400/220kV GIS S/s at Um Al Hassam, Bahrain	12Bays of 400KV GIS Switch Gear and related bus ducts.(Siemens),18 Bays of 220KV GIS Switch Gear and related bus ducts.(Siemens),21kV GIS Switch Gear and related busducts (Siemens),2Nos 2MVA Station Service Trafo and related switch gears and distribution panels,Installation of Outdoor Equipments related to 132/11 KV Feeders,Installation of all Indoor AC & DC Systems , Relay and Protection Panels, Cable Tray ,Trunking and Supports for HV Cables,110V Battery Bank,Laying and Termination of Control and LV, HV, EHV & MV Power Cables,All other activities like Grid Earthing, Main Equipment.	Ongoing
3.	AIES/ Siemens	EWA 220/33kV GIS S/s at ALBA- PDS, Bahrain.	33Bays of 220KV GIS Switch Gear and related bus ducts.(Siemens),14 Bays of 220KV GIS Switch Gear and related bus ducts.(Siemens),4Nos 1MVA Station Service Trafo and related switch gears and distribution panels,Installation of Outdoor Equipments related to 132/11 KV Feeders,Installation of all Indoor AC & DC Systems , Relay and Protection Panels, Cable Tray ,Trunking and Supports for HV Cables,110V Battery Bank,Laying and Termination of Control and LV Power Cables,All other activities like Grid Earthing, Main Equipment.	Ongoing

Sl. No.	Client	Project Name	Details of Job	Project Status
1.	Larsen & Toubro Saudia. SaudiArabia	220/115kv BSP Juaymah, Saudi Arabia.	<p>9 Bays of 230KV GIS Switch Gear and related bus ducts.</p> <p>17Bays of 115KV GIS Switch Gear and related bus ducts.</p> <p>2Nos 300/400MVA 220/115/34.5 KV Power Transformers.</p> <p>2Nos 8.9 MVA Grounding Transformers.</p> <p>2Nos 1.6MVA Station Service Transformers and related switch gears and distribution panels</p> <p>Installation of Outdoor Equipments related to 220/115 KV Transmission line.</p> <p>Installation of all Indoor AC&DC Systems , Relay and Protection Panels of transformers and 220/115Kv line</p> <p>Laying and Termination of EHT Cables 220/115KV Lines.</p> <p>Testing and Commissioning of Power Transformer, Switch Gears, Relay & Protection panels, AC & DC Systems and all related equipments.</p> <p>All other activities like Grid Earthing, Main Equipment Earthing, lighting, Pole & Mast Erection, outdoor Structure Erection, Lightning Protection, wiring for fire alarm system, Tray work includes fabrication of bends and Tee's, Control Cable Laying, Termination of Control and LV Power Cables Etc.,</p>	Successfully Completed
2.	Larsen & Toubro Saudia. SaudiArabia	Modification/ Extension of 10Existing S/s	<p>Modification works related to up gradation of system.</p> <p>Necessary Cable laying and Termination.</p> <p>Fixing of necessary relays and modification works in relay & Protection Panels.</p> <p>All other works like Earthing, Cable Tray works etc.,</p>	Successfully Completed
3.	Larsen & Toubro Saudia. SaudiArabia	Additional Jobs in 220/115KV BSP Juaymah,	<p>Installation of EOT Cranes& related cabling & termination works.</p> <p>Modification of Relay & Protection Panels as per the new system.</p> <p>SF6 Gas filling for all 220KV Switch Gears & related busducts and 115Kv Switch Gears & related busducts, testing of SF6 Gas etc.,</p>	Successfully Completed
4.	Larsen & Toubro Saudia. SaudiArabia	Testing and Commissioning 220/115KV BSP Juaymah	Testing and Commissioning of 220/115KV BSP.	Successfully Completed
5.	Larsen & Toubro Saudia. SaudiArabia	Security & Perimeter Fencing	Installation of Security and Perimeter fencing around Substation.	Successfully Completed

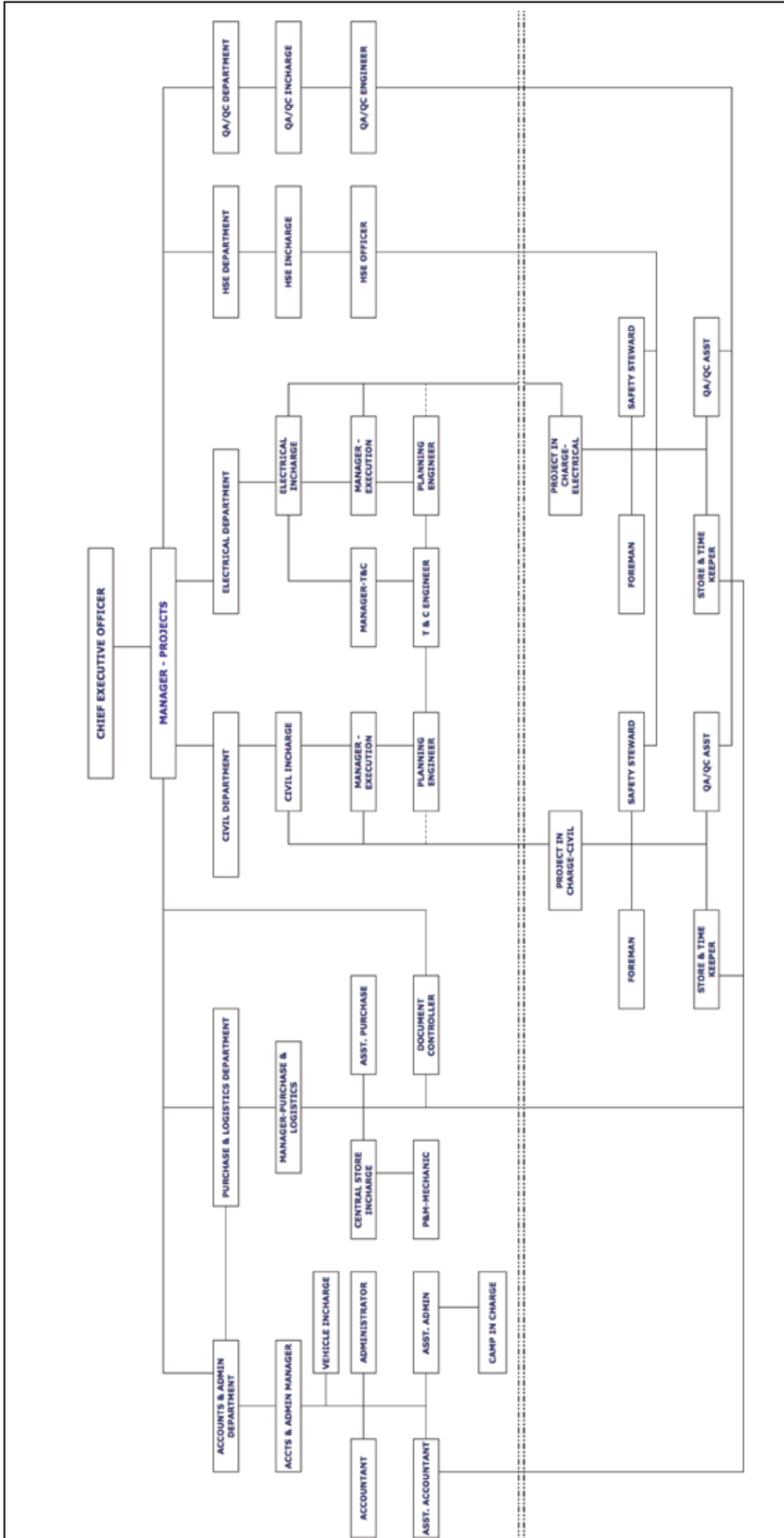
INDIA JOBS

Sl. No.	Client	Project Name	Details of Job	Project Status
1.	Larsen & Toubro Ltd	11Kv Pole in Gangapur near Aurangabad	Installation of 11KV Poles, Sliding Work, Transformer Erection, and other works.	Successfully Completed
2.	Larsen & Toubro Ltd	400/220KV Switch Yard/Sub-station in Amritsar, Punjab	Structure Erection works, Sliding works, Installation or Power Transformer, Installation of Control and Relay panel, Remote end modification works, Installation of Cable Tray, LV and Control Cable Laying and termination works.	Successfully Completed
3.	Larsen & Toubro Ltd	APDRP Line Rectification works	Rectification of 33KV Lines and Modification works in Substation.	Successfully Completed
4.	Larsen & Toubro Ltd	Installation works Haryana	Structural Erection works, Switch gear and Panels Erection work	Successfully Completed
5.	Larsen & Toubro Ltd	400/220KV Switch Yard/Sub-station in Korba, Rajasthan.	Structure Erection works, Sliding works, Installation or Power Transformer, Installation of Control and Relay panel, Installation of Cable Tray, LV and Control Cable Laying and termination works.	Successfully Completed
6.	Larsen & Toubro Ltd	Koodankulam Nuclear Power Plant, Tamil Nadu	Installation of 220KV GIS Switch Gears	Successfully Completed
7.	Larsen & Toubro Ltd	400KV Substation in Singrol.	Structure Erection works, Sliding works, Installation or Power Transformer, Installation of Control and Relay panel, Installation of Cable Tray, LV and Control Cable Laying and termination works.	Successfully Completed
8.	Siemens Pvt Ltd.	400/220KV Switch Yard/Sub-station in Mellakotaiyur, Chennai	Structure Erection works, Sliding works, Installation or Power Transformer, Installation of Control and Relay panel, Installation of Cable Tray, LV and Control Cable Laying and termination works.	Successfully Completed
9.	Siemens Pvt Ltd.	Electrical Installation works in Bangalore Airport	Installation of Electrical Equipments in Bangalore International Airport.	Successfully Completed
10.	Siemens Pvt Ltd.	HT 11KV Substation work at Bangalore International Airport	Installation switch gears, Control & Relay panels and Power Transformer, Control and Power Cable Laying and Termination works	Successfully Completed
11.	Siemens Pvt Ltd.	400/220KV Substation in Neyveli, Tamil Nadu.	Structure Erection works, Sliding works, Installation or Power Transformer, Installation of Control and Relay panel, Installation of Cable Tray, LV and Control Cable Laying and termination works.	Successfully Completed

OTHER COUNTRIES JOBS

1.	Larsen & Toubro Ltd	Electrical Installation work in Surinam, South America.	Structure Erection work, Installation of Switchgears, Control & Relay Panels, other electrical works	Successfully Completed
2.	Larsen & Toubro Ltd	Electrical Installation work in Kenya.	Structure Erection work, Installation of Switchgears, Control & Relay Panels, other electrical works	Successfully Completed
3.	Larsen & Toubro Ltd	Electrical Installation work in Kuwait	Installation, Testing, Calibration & Commissioning of Electrical Instrumentation works for KAFCO Kuwait	Successfully Completed

ORGANISATION CHART





Dedicated Customer Service

Tools & Equipments

TESTING EQUIPMENTS

Sl. No.	Item Description	UOM	Qty
1	Multi Functional Primary Test Kit -CPC - 100 Make : OMICRON SI No : RK346 Y	Nos	1
2	Current Booster CP CB2 Make : OMICRON SI No : QJ779P	Nos	1
3	Universal Relay Test Set - CMC 356 Make : OMICRON SI no : JH572S	Nos	1
4	AC Hipot Kit - 0-70 kV Make: Hipotronics, USA	Nos	1
5	CT Analyser - Make : Megger Model : MRCT	Nos	1
6	Contact Resistance Kit Make : Megger , Sweden Model : MOM200-200 A	Nos	1
7	CB Timer Kit Make : Megger Model: BM19090 Egil	Nos	1
8	Battery Discharge Kit - Torkel - 860 , Megger , Sweden	Nos	1
9	Relay Test Kit - Severker - 760 - Programa	Nos	1
10	High Voltage DC Test Kit - Hipotronics	Nos	1
11	DC High Voltage Test 75 Kv at 20m A - Phenix	Nos	1
12	Shirla Cable Sheath Fault Locator With UL 30 Audio Frequency Receiver	Nos	1
13	DC Power Pack	Nos	2
14	Digital Multimeter (EX530 , 07067491)	Nos	1
15	Digital Multimeter (Kyoritsu)	Nos	1
16	Digital Multi Meter - Fluke	Nos	6
17	Low Temperature Calibrator (R 40 , -40C to 123C)	Nos	1
18	Hydro Digital Thermometer	Nos	1
19	Regulator DC Power Supply (L3205)	Nos	1
20	Milli Amps Calibrator	Nos	1
21	Decade Resistance Box	Nos	1
22	Multifunction Calibrator (With Pump,Computer Cable,Power Cad)	Nos	1
23	Digital Clamp Meter Model: 2250Hz Auto	Nos	1
24	Digital Clamp Meter AC/2000A/750V DC1000 V	Nos	1
25	Clamp Meter	Nos	1
26	Clamp Meter AC /DC (2000A Max Amp Ratig) Make : Kyoritsu	Nos	1
27	Clamp Meter - Fluke 360	Nos	1
28	Insulation Tester 10kV - Megger MIT 1020/2	Nos	1
29	Insulation Tester 5 kV - Megger BM 21	Nos	1
30	Insulation Tester 5 kV - Megger MIT 515	Nos	2
31	Insulation Tester 5kV (Kyoritsu)	Nos	1
32	Megger MIT 310 Insulation Tester 1kV	Nos	2
33	Earth Megger (DET4TD2)	Nos	1
34	Earth Megger Make : Hiko	Nos	2
35	Insulation Tester (BK,Body) Model: CIE/555, <small>Range: 500V/0-100M, Accuracy: As per ISS 2982/1987 Insulation Test: Better Than 50Megoh at 500V DC HV Test* Withstand 2KV A.C.rms for 1 Minute Temp 27</small>	Nos	1
36	Insulation Tester (Metal Body) Model :CIE/444 <small>Range : 5000V / 0-10000 MH Accuracy : As per ISS 2992/1987 Insulation Test : Better than 50 Megoh at 500V DC H.V Test : With Stand 6 KV A.C rms for 1 Minute Temp 27</small>	Nos	1
37	Oil Testing Kit	Nos	1
38	KD2 PRO System	Nos	1

TOOLS & TACKLES

Sl. No.	Item Description	UOM	Qty
1	10 Ton Cable Pulling Winch Model :KW 10 - Bagela	Nos	1
2	5 Ton Cable Pulling Winch Model :KW 5010 - Bagela	Nos	2
3	3 Ton Cable Pulling Winch Machine Mno: FW3000 SI No :W1453 - SEB	Nos	1
4	3 Ton Cable Pulling Machine Mno: W3000 SI No:W09W031016KB13408 -Bagela	Nos	1
5	Earth Boring Machine - up to 100mm dia, 15mtr Deep.	Nos	1
6	GEP44, Rated at 32kVA Prime Power DG 415V/240V,50 Hz,0.8P.F, 3 Phase and 1500 RPM	Nos	1
7	5 kVA DG	Nos	4
8	Secondary Earthing Kit with Accessories up to 33kV	Set	1
9	Live Line Tester	Nos	1
10	Cable Detector (CAT-300)	Nos	2
11	Hydraulic Liffin Jack 10 Ton (2 Pcs with Accessories)	Set	6
12	Hydraulic Jack 30 Ton (2 Pcs with Accessories)	Set	3
13	Hydraulic Jack 40 Ton (2 Pcs with Accessories)	Set	1
14	Cable Roller (Straight Line Roller)	Nos	1417
15	Triple Corner Bend Rollers	Nos	43
16	Bend Rollers - Vertical-Horizontal Combined Roller	Nos	16
17	Draw off Roller - HDG	Nos	3
18	Bell Mouth Rollers	Nos	22
19	Cable Guide & Support Roller (V Roller Assembly)	Nos	32
20	Draw off Rollers with frame (Run off frame assembly)	No	3
21	Duct Rod with frame 11 mm x 150 Mtr	No	1
22	Hydraulic Jack 5 Ton	Set	3
23	Hydraulic Jack 3 Ton	Set	1
24	Conduit Bending Machine 20 - 25mm	Set	2
25	Pallet Truck 2 .5 Ton	Nos	8
26	Chain Block 1 Ton to 10Ton	Nos	4
27	Lever Hoist 0.8 Ton to 9Ton	Nos	42
28	Crimping Tool 35Sqmm to 630 Sqmm - (Hydraulic)	Nos	3
29	Crimping tool up to 25sqmm to 400 sqmm (Hydraulic)	Nos	3
30	Earth Flat Bending Machine	Nos	4
31	Crimping Tool up to 300 Sqmm (Manual)	Nos	1
32	Hydraulic Pipe Threading and Bending machine	Set	2

TOOLS & TACKLES OHL

Sl. No.	Item Description	UOM	Qty
1	Hydraulic Puller-9Ton , Make : OMAC , Italy	Nos	1
2	Tensioner-7.5Ton , Make : OMAC , Italy	Nos	1
3	Pilot Wire Drum 22mm, Length 800Mtr	Drum	9
4	Pilot Wire Drum 18mm, Length 1000Mtr	Drum	3
5	Pilot Wire Drum 16mm, Length 1000Mtr	Drum	24
6	Pilot Wire Drum Stand	Set	5
7	Pilot Wire Conductor Jack	Set	4
8	Pilot Wire Connector	Nos	40
9	Automatic Clamp for YEW conductor	Nos	44
10	Automatic Clamp for OPGW	Nos	4
11	Double End Socks for AAAC YEW Conductor	Nos	3
12	Single Socks for AAAC YEW Conductor	Nos	4
13	Single Socks for OPGW	Nos	2
14	OPGW Head Board	Nos	2
15	Cycle for Spacer	Nos	2
16	Sag Bridge 12Mtr Length	Nos	4
17	Joint Protector	Nos	6
18	Hydraulic Dynamometer	Nos	3
19	Hydraulic Compressor Machine and Hydraulic Power Unit with Die Set	Set	3
20	Single Sheave Roller	Nos	75
21	Single Conductor Roller 450mm for OPGW	Nos	49
22	AAAC Conductor Roller (Three Sheave roller)	Nos	90
23	Sagscope	Nos	1
24	Wich Machine Manual - 5 MT Capacity	Nos	2
25	Hydraulic Cutter	Nos	3
26	Pilot Drum Bracket	Nos	12
27	Single Sheave Pulley Open - 3MT	Nos	10
28	Single Sheave Pulley Close - 3MT	Nos	5
29	Double Sheave Pulley	Nos	4
30	Four Sheave Pulley – 8 MT	Nos	4
31	Turn Buckle -10MT	Nos	10
32	Turn Buckle - 5MT	Nos	10
33	Swivel Joint – Medium	Nos	6
34	Sling - 18mm x 2Mtr	Nos	8
35	Sling - 18mm x 4 Mtr	Nos	8
36	Sling - 18mm X 6 Mtr	Nos	4
37	Ground Roller Barrel Type	Nos	10
38	Steel Wire Rope 18mm Usha Martin Make FMC 6 X 19	Mtr	1000

TOOLS & TACKLES OHL

Sl. No.	Item Description	UOM	Qty
39	Steel Wire Rope 12mm Usha Martin Make FMC 6 X 20	Mtr	1000
40	Bull Dog Clamp for 18mm Wire Rope	Nos	50
41	Close Pully 3 Ton	Nos	4
42	Come Along Clamp Bolted for Conductor	Nos	60
43	D Shackle 8 Ton	Nos	20
44	D Shackle 12 Ton	Nos	10
45	D Shackle 6/8 Ton	Nos	60
46	Double Sheave Pully Block	Nos	8
47	Equiliser Pulley	Nos	4
48	Four Sheave Pully	Nos	6
49	Open Pully	Nos	15
50	OPGW Clamp 2 Bolt	Nos	2
51	Single Pulley (Closed) - 3 T	Nos	5
52	Single Pulley (Open) - 3 T	Nos	10
53	Socks (Conductor Wire) Single End	Nos	4
54	Socks Centre socks (Conductor Wire)Double	Nos	2
55	Turn Buckle Big	Nos	6
56	Turn Buckle Small	Nos	2
57	Wire Rope Sling 5 Mtr	Nos	24
58	Wire Rope Sling 2 Mtr	Nos	62
59	Bow Shackle	Nos	37
60	OPGW Socks Single	Nos	2
61	12 mm Rope	Mtr	1000
62	Conductor Spacer Trolley	Nos	2



Dedicated Customer Service

UAE

Phone :+971 4 338 0606

Mob: +971 55 764 2457

Al Manara Building, Office F103

Sheik Zayed Road, Dubai,

Email: bhaskaytechnicalservices@gmail.com

Web: www.bhaskay.com

INDIA

Phone: +91 9444 104 162

Bhaskay Power Constructions

No 2 IAF MES Road, KVK Nagar,

Selaiyur, Tambaram East.

Chennai 600073.

Email: bpconstructions@yahoo.co.in

OMAN

Phone: +968-24492193

GSM: +968-93219434

Best Power Constructions LLC.

Al.Ghubra-Near Indian School.

Ruwi, Sultanate of Oman.

Web: www.bestpowerconstructions.com